

AC powered full color Fresnel LED with motorized zoom and wireless control

Color tunable 5 LED fresnel light. Red, Green, Royal Blue, Blue, Warm White, Cold White. Motorized zoom from 13° to 56°. Remote control of beam angle. True borosilicate fresnel lens. High color reproduction TLCI (96). 2500 to 10.000K Lightweight, low-carbon aluminum body. DMX-RDM In & Out connector, RJ-45 ethernet, Wi-fi Artnet, Bluetooth. Silent operation (4 fan modes including FAN OFF). Robust and lightweight low-carbon aluminum body. High efficiency: best lux/watt ratio on the market.

More info

[Website](#)

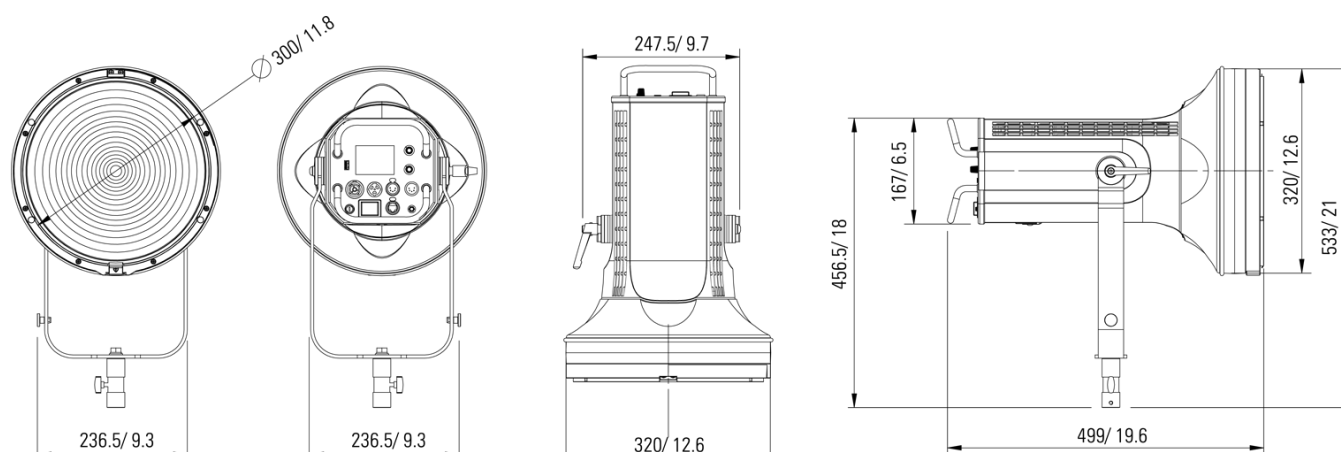


1. 300mm/12" Borosilicate glass fresnel lens
2. USB connector
3. Touchscreen display
4. 2x Rotary knobs
5. XLR-5 DMX-RDM In & Out connectors
6. Wireless functions antenna
7. PowerCon TRUE 1 In & Out connectors
8. 8A AC fuse
9. Main power switch
10. XLR3 DC In connector

SPECIFICATIONS

OPTICAL SYSTEM	Motorized ZOOM Fresnel	
LIGHT ENGINE	35mm full color spectrum R+G+B+W+CW VELVET ceramic COB LED	
COLOUR TEMPERATURE	Continuously adjustable from 2500K to 10000K (100K increments)	
GREEN-MAGENTA	Continuously adjustable from Full green to Full minusgreen	
CONTROL COLOR MODES	CTT, HSI, CTT+RGB, Gels and Effects with ZOOM in every Mode NOTE: base Kelvin white light can be set combined with any color	
LIGHT INTENSITY	Smooth 0 to 100%, three selectable dimming curves	
LOCAL CONTROL	2x rotary knobs and full-color touchscreen display	
WIRE CONTROL	DMX-RDM with XLR-5 In & through connectors, Ethernet Art-Net with RJ-45 connector	
WIRELESS CONTROL	LumenRadio CRMX built-in, Wi-Fi Art-Net sCAN and Bluetooth, Android and iOS using VELVET Goya free charge app	
TLCI INDEX	95 at 3200K and 97 at 5600K	
PHOTOMETRICS	50° - 3200K	13° - 3200K
	2660 lux / 247 fc at 3 m / 9.8 feet	11115 lux / 1033 fc at 3 m / 9.8 feet
	750 lux / 70 fc at 6 m / 20 feet	2820 lux / 262 fc at 6 m / 20 feet
	50° - 5600K	13° - 5600K
	4000 lux / 372 fc at 3 m / 9.8 feet	16500 lux / 1533 fc at 3 m / 9.8 feet
	1050 lux / 97 fc at 6 m / 20 feet	4265 lux / 396 fc at 6 m / 20 feet
BEAM ANGLE	13° in spot, 56° in flood. Motorized zoom with stepper motor	
DIMENSIONS	320x320x499mm / 12.6"x12.6"x19.6" (fixture) — 320x533x499mm / 12.6"x21"x19.6" (fixture+yoke)	
WEIGHT	9.3 kg / 20.5 lbs (fixture)	
	9.8 kg/ 22.6 lbs (fixture + yoke)	
POWER DRAW	400W	
AC POWER SUPPLY	90-264V AC 50/60Hz PowerCon TRUE1 In & Out	
DC POWER SUPPLY	26-48V DC XLR-3 In connector	
LED RATED LIFE	(L70) exceeds 50,000 hours	
OUTPUT FREQUENCY	12,000 fps	
OPERATION TEMPERATURE	From -20°C to +45°C	
COOLING	Passive liquid cooling system into sealed 3D chamber with ultra silent fan	
PROTECTION	IP30, indoor or outdoor protected use	
CONSTRUCTION & FINISH	Fixture and yoke made of die-cast aluminum	

WIRE VIEW



PHOTOMETRICS

