

# VELVET Mini 3 Studio IP51

Ref.: VM3STNY

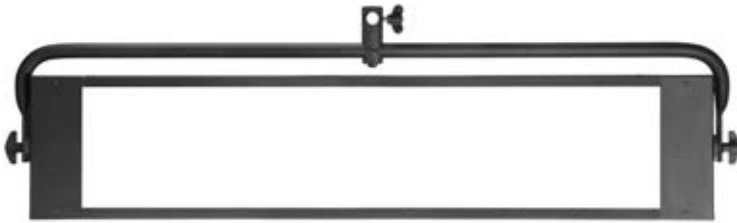
Datasheet: February 2024 / Page 1



## 3x1/2 feet bicolor dustproof AC powered compact panoramic soft light LED panel

[Click here for more product information](#)

**VM3STNY includes:** on board AC PSU with AC In & Out PowerCon TRUE1, DMX In & Out XLR-5, 1x yoke with 28mm junior pin - 16mm baby receiver. 3,5mts power cable with aerial PowerCon TRUE1



1. Power switch
2. XLR-3 DC In connector
3. +/- adjustment buttons
4. 3200K / 5600K quick access button
5. Mode selection button (dimmer / colour temperature)
6. Digital display
7. XLR-5 DMX RDM In & Out connector



# VELVET Mini 3 Studio IP51

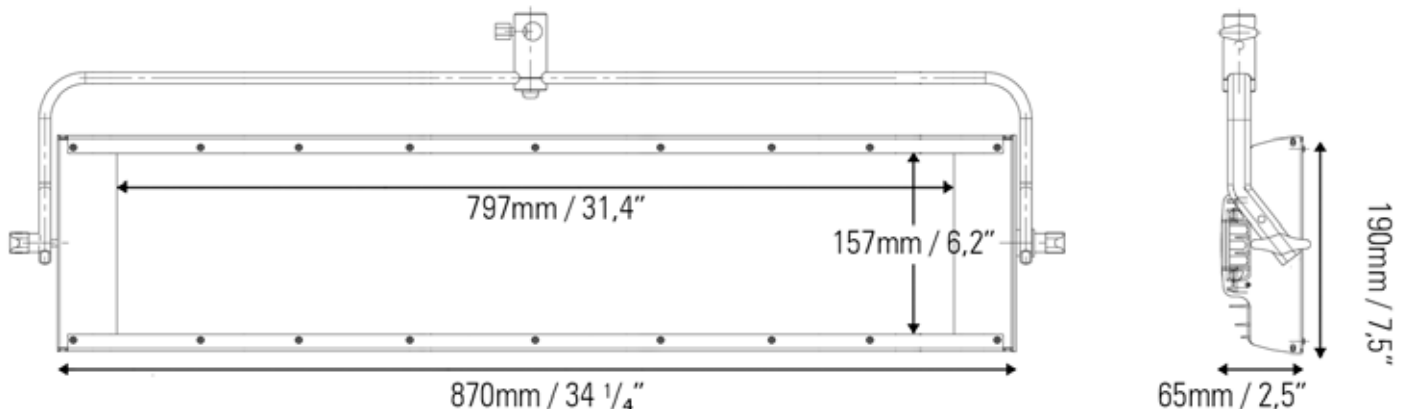
Ref.: VM3STNY

Datasheet: February 2024 / Page 2



SPECIFICATIONS	
COLOUR TEMPERATURE	Adjustable from 2700K to 6500K in 100K increments
LIGHT INTENSITY	Dimmable 0 to 100 (smooth and flicker-free)
LOCAL CONTROL	On-board digital control
WIRE CONTROL	DMX RDM remote control through XLR-5 In & Out
TLCI INDEX	93 at 3200K and 96 at 5600K
PHOTOMETRICS	3.200 Lux / 296 fc at 1m / 3 feet 435 Lux / 40 fc at 3m / 10 feet
BEAM ANGLE	100°
DIMENSIONS	870 x 190 x 90 mm / 36,5" x 7,5" x 3,5" (panel)
WEIGHT	4,6 kgs / 10 lbs (panel) 5,1 kgs / 11,2 lbs (panel + yoke)
POWER DRAW	150W / 1,36 Amps at 110 VAC
POWER SUPPLY	90-264 VAC 50/60Hz through PowerCon TRUE1 In & Out
LED RATED LIFE	More than 50.000 hours
POWER CONNECTION	PowerCon TRUE1 in&out
OUTPUT FREQUENCY	16KHz flicker-free up to 2000fps
OPERATION TEMPERATURE	From -20°C to +40°C
COOLING	No-noise, fan-free passive cooling
PROTECTION	IP51 dustproof, indoor or outdoor protected use
VELVET LED TECHNOLOGY	Selected BIN LED + optic diffuser + CPU software control
RIGGING OPTIONS	Aluminum yoke with 16mm baby receptacle combined with 28mm junior pin, four sliding threads 1/4" for riggings located on panel sides, double baby pin for diagonal or vertical position using the standard yoke
QUICK MOUNTING ACCESSORIES	VELVET DMX remote control, foldable Snapgrid, removable barn doors, cordura case, hard case
CONSTRUCTION & FINISH	Made of black anodized extruded aluminum and black powder coated sheet aluminum

## WIRE VIEW



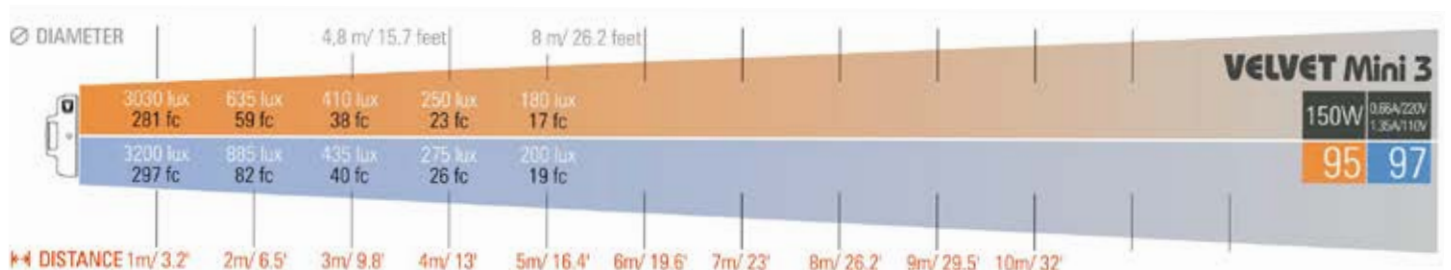
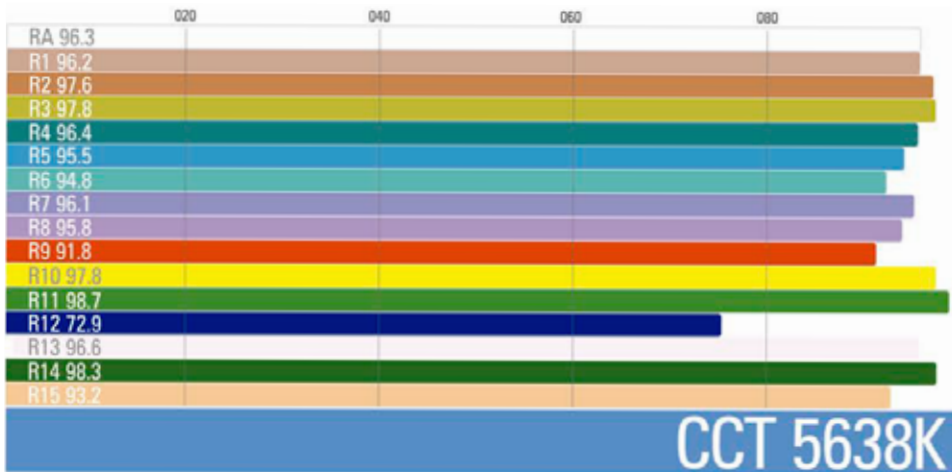
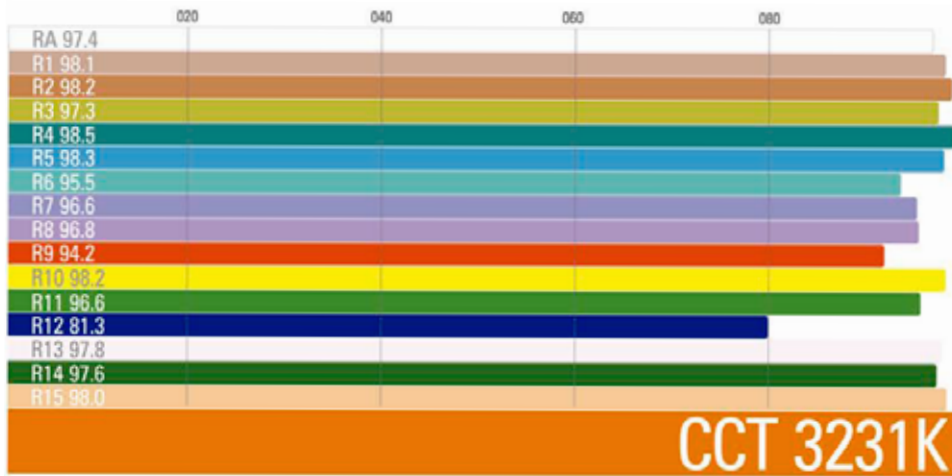
# VELVET Mini 3 Studio IP51

Ref.: VM3STNY

Datasheet: February 2024 / Page 3



## PHOTOMETRICS



# VELVET Mini 3 Studio IP51

Ref.: VM3STNY

Datasheet: February 2024 / Page 4



## ACCESSORIES

### Mandatory accessories

#### RIGGING

VM3ST-YT



VM-QLS



#### SPIGOTS AND CLAMPS

THE-2816CTUBEK



V-CCLAMPK



#### POWER CABLES FOR PANEL

ACC3.5M-TRUE1



ACC3.5M-TRUE1UK



ACC3.5M-TRUE1A



ACC3.5M-TRUE1BE



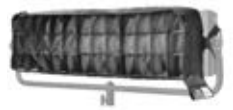
### Optional accessories

#### BEAM CONTROL

VM3-RB



VM3-SG



VM3-SB



VM3-SGXSB



VM3-DOME



#### TRANSPORT

VM3-BAG



#### CABLES

CAB-XLR3DCC4.5M



DMX-DMX2M



# VELVET Mini 3 Studio IP51

Ref.: VM3STNY

Datasheet: February 2024 / Page 5



---

DMX-DMX3M



---

DMX-DMX6M



---

DMX-DMX10M



---

DMX-DMX20M



---

CAB-PWC2MTRUE



---

CAB-PWC4MTRUE



---

THE-DMXINOUT



## REMOTE CONTROL

VL-RC

