

VELVET Start 2

Ref.: VS2STNYC

Datasheet: November 2024 / Page 1



2x1 feet bicolor IP41 AC powered soft light LED panel

Natural soft light panel. Dustproof IP41 rated. High TLCI (96). Precise color temperature adjustment from 3000K to 6000K. Perfect skin tones and real colors. Lightweight, low-carbon aluminum body. Totally silent fanless operation. High efficiency with built-in PSU on-board and DM- RDM control with AC & DMX In & Out built-in connectors.

More info

[Website](#)



1. PowerCon TRUE1 AC In
2. Power switch
3. XLR DMX-5 In
4. + / - Adjustment buttons
5. 3200K / 5600K Quick access button
6. Mode selection button (Dimmer / Color temperature)
7. Digital display
8. XLR DMX-5 Out



VELVET Start 2

Ref.: VS2STNYC

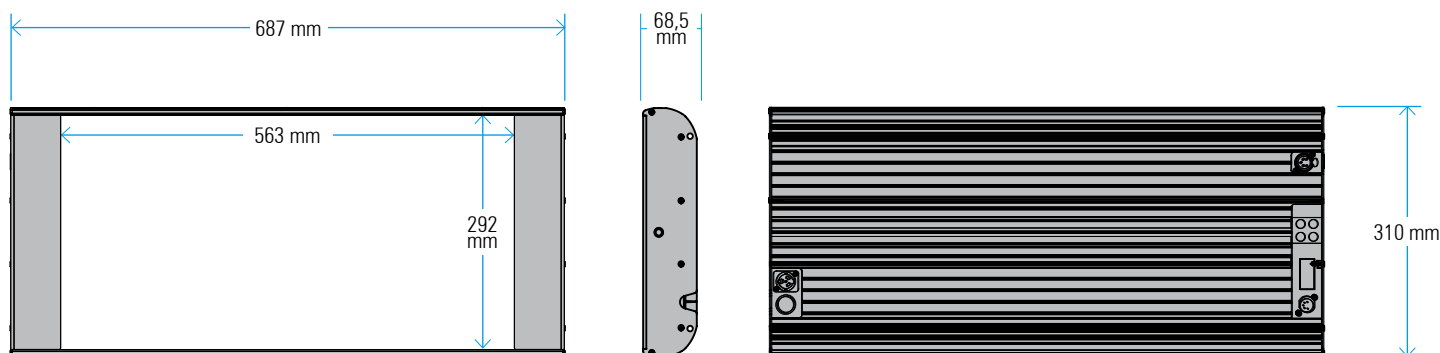
Datasheet: November 2024 / Page 2



SPECIFICATIONS

COLOUR TEMPERATURE	Continuously adjustable from 3.000K to 6.000K (100K increments)
LIGHT INTENSITY	Dimmable 0 to 100, smooth and flicker-free
LOCAL CONTROL	Shock proof buttons and display
WIRE CONTROL	DMX-RDM with XLR-5 In & Out connectors
TLCI INDEX	92 at 3200K and 95 at 5600K
PHOTOMETRICS	4320 lux / 401 fc at 1m / 3 feet 574 lux / 53 fc at 3m / 10 feet
BEAM ANGLE	100°
DIMENSIONS	687 x 310 x 68,5 / 27" x 12" x 2.6" (panel) 815 x 430 x 68 / 32" x 17" x 2.6" (panel+yoke)
WEIGHT	5,9kg / 13 lbs (panel) 6,5kg / 14 lbs (panel + yoke)
POWER DRAW	100W
POWER SUPPLY	90-264 VAC 50/60Hz
LED RATED LIFE	More than 50.000 hours L70 More than 35.000 hours L80
POWER CONNECTION	Neutrik PowerCon TRUE1 TOP In connector
OUTPUT FREQUENCY	2000 fps
OPERATION TEMPERATURE	From -20°C to +40°C
COOLING	No-noise, fan-free passive cooling
PROTECTION	IP41 index protection
VELVET LED CYC TECHNOLOGY	Selected BIN LED core unit + optic diffuser + CPU software control
RIGGING OPTIONS	aluminum yoke with 16 female combined with 28 pin, pole operated yoke, multipanel yokes
QUICK MOUNTING ACCESSORIES	Foldable SnapBag, foldable Snapgrid, removable barn doors, cordura case, hard case
CONSTRUCTION & FINISH	Black anodized extruded aluminum and black powder coated sheet aluminum

WIRE VIEW



PHOTOMETRICS

DIAMETER	Ø 4,5/ 14.7'			Ø 7m/ 23'			Start 2		
	100°	3900 lux 362 fc	1110 lux 103 fc	533 lux 49 fc	317 lux 29 fc	233 lux 22 fc	175 lux 16 fc	100W	0,40A/220V 0,90A/110V
		4320 lux 401 fc	1210 lux 112 fc	574 lux 53 fc	335 lux 31 fc	241 lux 22 fc	180 lux 17 fc	92	95
DISTANCE		1m/ 3.2'	2m/ 6.5'	3m/ 9.8'	4m/ 13'	5m/ 16.4'	6m/ 19.6'		

