

# VELVET Mini 3 Studio

Ref.: VM3STNY

Datasheet: November 2024 / Page 1



## 3x1/2 feet bicolor dustproof AC powered compact panoramic soft light LED panel

More info

[Website](#)

Natural soft light panel for low ceilings. Dustproof IP51 rated. High TLCI (96). Precise color temperature adjustment from 2700K to 6500K. Perfect skin tones and real colors. Lightweight, low-carbon aluminum body. Totally silent fanless operation. On-board and DMX-RDM control with AC & DMX In & Out built-in connectors.



1. Power switch
2. PowerCon TRUE1 AC Power In
3. PowerCon TRUE1 AC Power Out
4. +/- Adjustment buttons
5. Mode selection button (Dimmer / Colour Temperature)
6. 3200K / 5600K quick access button
7. Digital display
8. XLR-5 DMX-RDM In connector
9. XLR-5 DMX-RDM Out connector



# VELVET Mini 3 Studio

Ref.: VM3STNY

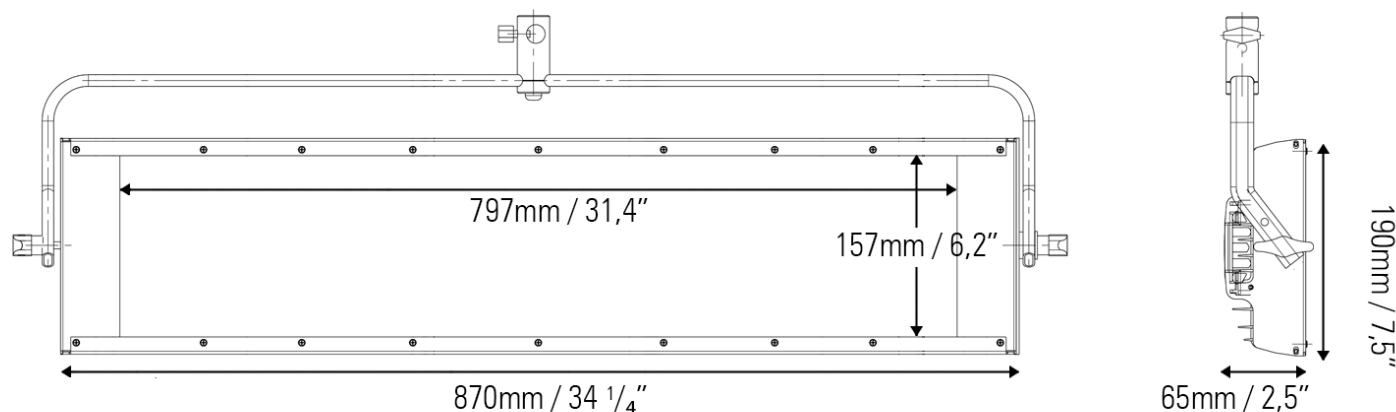
Datasheet: November 2024 / Page 2



## SPECIFICATIONS

COLOUR TEMPERATURE	Adjustable from 2700K a 6500K (100K increments)
LIGHT INTENSITY	Dimmable 0 to 100 (smooth and flicker-free)
LOCAL CONTROL	Shock proof buttons and display
WIRE CONTROL	DMX-RDM with XLR-5 In & Out connector
TLCI INDEX	97 at 3200K and 98 at 5600K
PHOTOMETRICS	3200 lux / 297 fc at 1m / 3 feet 435 lux / 40 fc at 3m / 10 feet
BEAM ANGLE	100°
DIMENSIONS	870 x 190x 90 mm / 34" x 7,5" x 3,5" (panel)
WEIGHT	4,6 kgs / 10 lbs (panel) 5,1 kgs /11,2 lbs (panel + yoke)
POWER DRAW	150W (1.35A at 110 VAC — 0.66A at 220 VAC)
POWER SUPPLY	90-264 VAC 50/60Hz through PowerCon TRUE1 In & Out
LED RATED LIFE	More than 50.000 hours L70 More than 35.000 hours L80
POWER CONNECTION	Neutrik XLR-3 DC In connector
OUTPUT FREQUENCY	2000 fps
OPERATION TEMPERATURE	From -20°C to +40°C
COOLING	No-noise, fan-free passive cooling
PROTECTION	IP51 dustproof, indoor or outdoor protected use
VELVET LED TECHNOLOGY	Selected BIN LED + optic diffuser + CPU software control
RIGGING OPTIONS	Aluminum yoke with 16mm baby receptacle combined with 28mm junior pin, four sliding threads ¼" for riggings located on panel sides, double baby pin for diagonal or vertical position using the standard yoke
QUICK MOUNTING ACCESSORIES	VELVET DMX remote control, foldable Snapgrid, removable barn doors, cordura case, hard case
CONSTRUCTION & FINISH	Black anodized extruded aluminum and black powder coated sheet aluminum

## WIRE VIEW



# VELVET Mini 3 Studio

Ref.: VM3STNY

Datasheet: November 2024 / Page 3



## PHOTOMETRICS

DIAMETER

∅ 4,8/ 15.7'

∅ 8m/ 26.2'

