

VELVET Light 2x2 Studio

Ref.: VL2X2STNY

Datasheet: November 2024 / Page 1

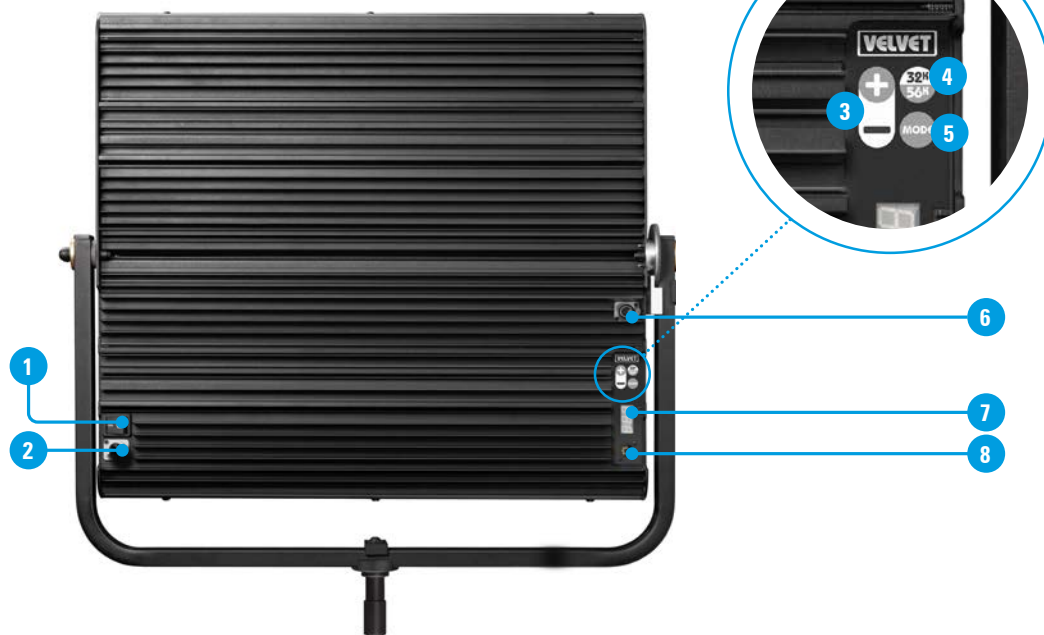


2x2 feet bicolor dustproof AC powered soft light LED panel

Natural soft light panel. Dustproof IP51 rated. Bicolor light with high TLCI (96). Precise color temperature adjustment from 2700K to 6500K. Perfect skin tones and real colors. Robust and lightweight low-carbon footprint aluminum body. Totally silent fanless operation. High efficiency: very low power consumption. DMX-RDM control. AC & DMX In & Out connectors.

More info

[Website](#)



1. Power switch
2. XLR-3 DC In
3. + / - Adjustment buttons
4. 3200K / 5600K Quick access button
5. Mode selection button (Dimmer / Colour Temp)
6. XLR-5 DMX Out
7. Digital display
8. XLR-5 DMX In

VELVET Light 2x2 Studio

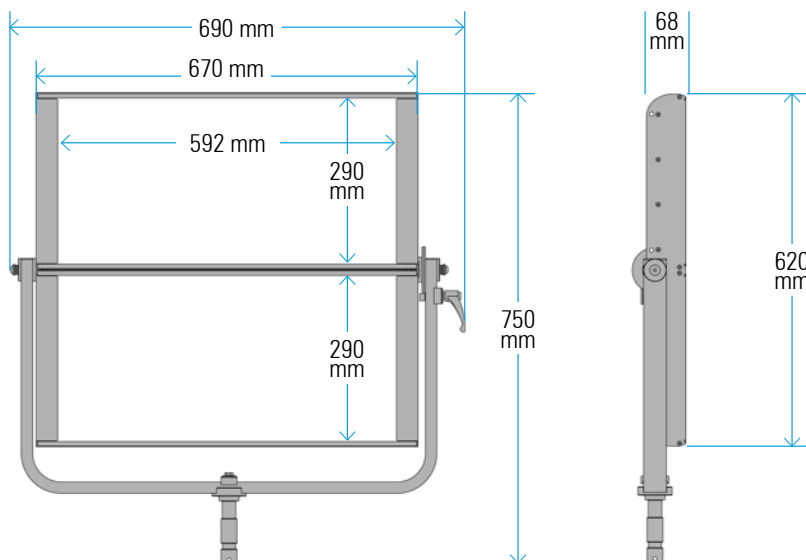
Ref.: VL2X2STNY

Datasheet: November 2024 / Page 2

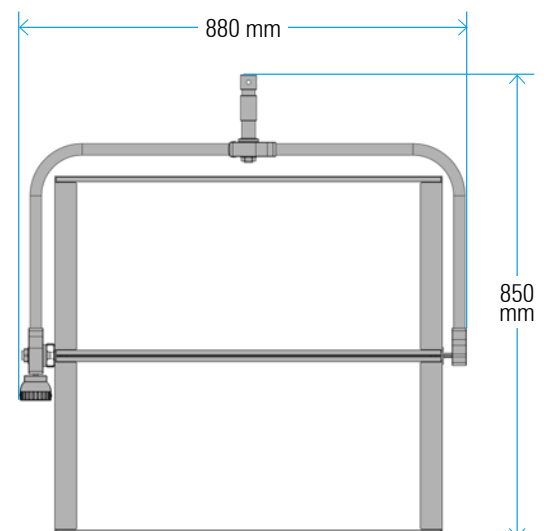


SPECIFICATIONS	
COLOUR TEMPERATURE	Adjustable from 2700K to 6500K (100K increments)
LIGHT INTENSITY	Dimmable 0 to 100 (smooth and flicker-free)
LOCAL CONTROL	Shock proof buttons and display
WIRE CONTROL	DMX-RDM with XLR-5 In & Out connectors
TLCI INDEX	92 at 3200K and 95 at 5600K
PHOTOMETRICS	11570 lux / 1075 fc at 1m / 3 feet 1516 lux / 140.8 fc at 3m / 10 feet 475 lux / 44 fc at 6m / 20 feet
BEAM ANGLE	100°
DIMENSIONS	670x620x68mm / 26"x24,5"x2.7" (panel) 690x750x125mm / 27"x29,5"x5" (panel + yoke)
WEIGHT	12 kg / 26.5 lbs (panel) 14 kg / 30 lbs (panel + yoke)
POWER DRAW	310W (1.35A at 220VAC — 2.80A at 110VAC)
POWER SUPPLY	26-28V DC 90-264V AC 50/60Hz
LED RATED LIFE	More than 50.000 hours
POWER CONNECTION	Neutrik XLR-3 DC In connector
OUTPUT FREQUENCY	2000 fps
OPERATION TEMPERATURE	From -20°C to +40°C
COOLING	No-noise, fan-free passive cooling
PROTECTION	IP51 dustproof, indoor or outdoor protected use
VELVET LED TECHNOLOGY	Selected BIN LED + optic diffuser + CPU software control
RIGGING OPTIONS	Aluminum yoke with 28mm junior pin, multiple ¼-20" rigging points, multipanels yokes, pole operated yoke
QUICK MOUNTING ACCESSORIES	AC power supply, power extension cable, remote control, foldable Snapgrid 40° or 20°, foldable Snapbag, removable barn doors, hard case
CONSTRUCTION & FINISH	Black anodized extruded aluminum and black powder coated sheet aluminum

VELVET Light 2X2+ MO Yoke



VELVET Light 2X2+ PO Yoke



VELVET Light 2x2 Studio

Ref.: VL2X2STNY

Datasheet: November 2024 / Page 3



PHOTOMETRICS

