

2x2 feet dustproof AC powered soft light LED panel R+G+B+W+CW with wireless control

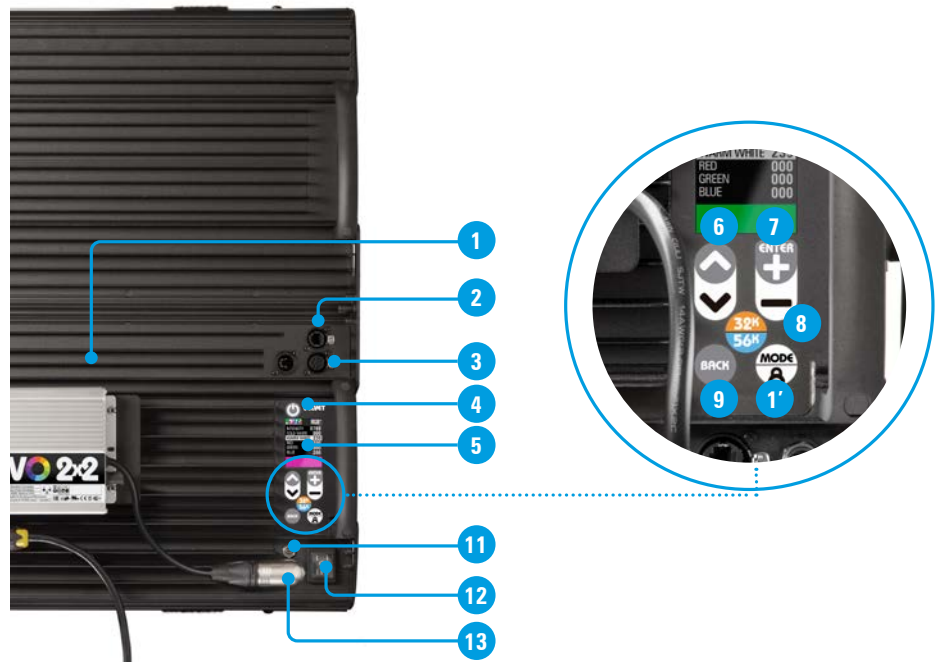
Natural soft light color 5LED panel. Dustproof IP51 rated. High color reproduction. High SSI, TLCI & CRI (96). Perfect skin tones and real colors. Robust and lightweight low-carbon aluminum body. Totally silent fanless operation. High efficiency: best lux/watt ratio on the market. RJ-45 ethernet, Wi-fi Artnet, Bluetooth. AC and DMX-RDM In & Out built-in connectors.

More info

[Website](#)



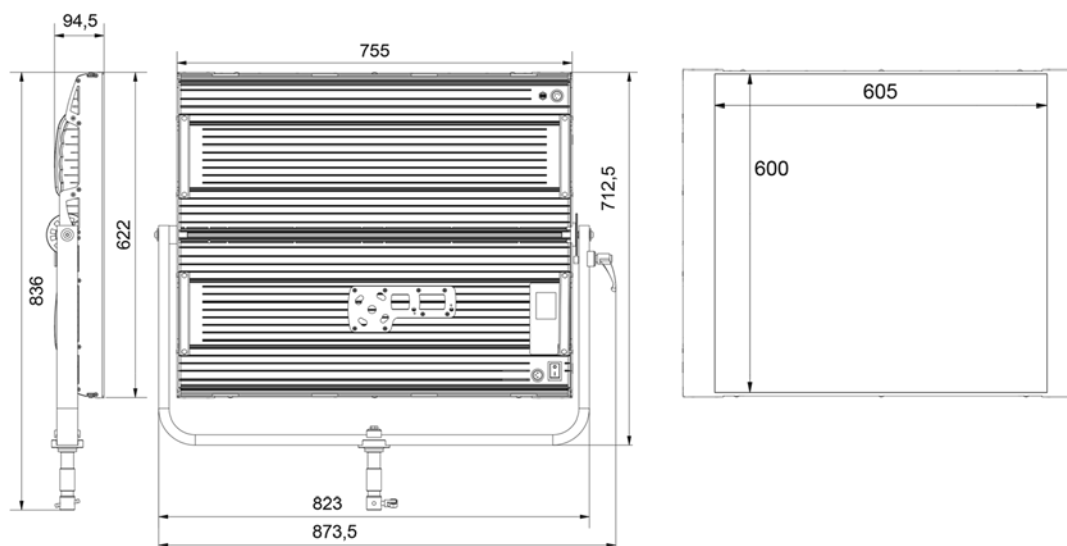
1. Accessories mounting plate
2. RJ-45 Ethercon Lan connector
3. XLR-5 DMX-RDM In & Out connector
4. Light power button
5. Digital display
6. Up and down scroll buttons
7. Enter / +/- Adjustment buttons
8. 3200K / 5600K quick access button
9. Back button
10. Mode selection / Lock button
11. Mini USB connector
12. Main power switch
13. XLR-3 DC In connector



SPECIFICATIONS

COLOUR TEMPERATURE	Continuously adjustable from 2500K to 10000K
GREEN-MAGENTA	Continuously adjustable from full minusgreen to full plusgreen
COLOR SPECTRUM	Full color spectrum R+G+B+W+CW with hue, saturation, and base color temperature control
CONTROL COLOR MODES	CCT, HSI, RGB, Gels and Effects base Kelvin white light can be set combined with any color
LIGHT INTENSITY	Dimmable 0 to 100, smooth and flicker-free
LOCAL CONTROL	With 8x shock resistant buttons and color display
WIRE CONTROL	DMX-RDM with XLR-5 In & through connectors. Ethernet Art-Net with RJ-45 connector
WIRELESS CONTROL	Wi-Fi Art-Net +VELVET Goya App
TLCI INDEX	96 at 3200K and 97 at 5600K
PHOTOMETRICS	2405 Lux / 223 fc at 3m / 10 feet 700 Lux / 65 fc at 6m / 19.6 feet
BEAM ANGLE	115°
DIMENSIONS	763x620x113mm / 30x24.4x4.4 inches
WEIGHT	16 kg / 35.2 lbs (panel) 18.3 kg / 40.3 lbs (panel + yoke)
POWER DRAW	403W (1.75A at 220VAC — 3.6A at 110VAC)
POWER SUPPLY	90-264V AC 50/60Hz
LED RATED LIFE	More than 50.000 hours
POWER CONNECTION	Neutrik PowerCon TRUE1 TOP In connector
OUTPUT FREQUENCY	2000 fps
OPERATION TEMPERATURE	From -20°C to +40°C
COOLING	Silent and fan-free pasive cooling
PROTECTION	IP51 dustproof, indoor or outdoor protected use
VELVET LED TECHNOLOGY	Selected BIN LED core unit + optic diffuser + CPU software control
RIGGING OPTIONS	Aluminum yoke with 28mm junior pin, multiple ¼"-20 rigging points, pole-operated yoke.
QUICK MOUNTING ACCESSORIES	Foldable SnapBag, foldable Snapgrid, removable barn doors, cordura case, hard case
CONSTRUCTION & FINISH	Fixture and yoke made of black powdercoated extruded and sheet aluminum

WIRE VIEW



PHOTOMETRICS

