

VELVET Power 2 IP54

Ref.: VP2IP54NY

Datasheet: November 2024 / Page 1



2x1 feet Bicolor weatherproof concentrated long distance beam light LED panel

Hard and soft light in the same fixture. Rainproof IP54 bicolor rated panel. Long throw concentrated beam of 15° or 30°. High TLCI (97). Precise color temperature adjustment from 2700K to 6500K. Totally silent fanless operation. Robust and lightweight, low-carbon aluminum body. High efficiency means 100% light output even with V-lock / Gold mount batteries. DMX-RDM control.

[More info](#)

[Website](#)



1. XLR-3 DC In
2. Power switch
3. + / - Adjustment buttons
4. 3200K / 5600K Quick access button
5. Mode selection button (Dimmer / Colour Temp)
6. Digital display
7. XLR-5 DMX In



VELVET Power 2 IP54

Ref.: VP2IP54NY

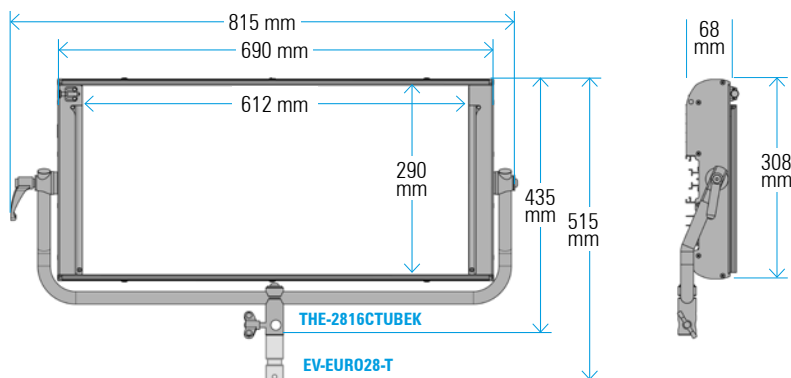
Datasheet: November 2024 / Page 2



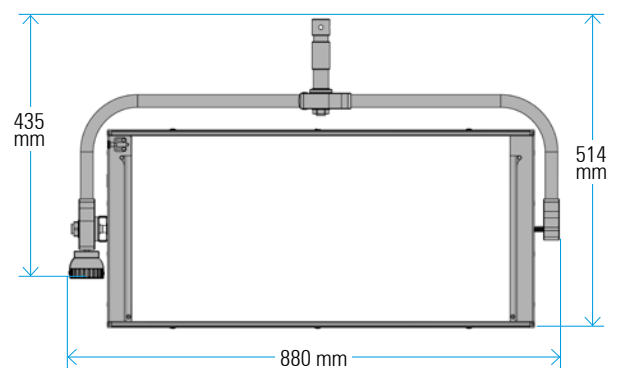
SPECIFICATIONS

COLOUR TEMPERATURE	Adjustable from 2700K a 6500K (100K increments)
LIGHT INTENSITY	Dimmable 0 to 100 (smooth and flicker-free)
LOCAL CONTROL	Shock proof buttons and display
WIRE CONTROL	DMX-RDM with XLR-5 In connector (In & Out with DMX splitter)
TLCI INDEX	98 at 3200K and 96 at 5600K
PHOTOMETRICS	4950 lux / 460 fc at 3m / 9.8 feet 1330 lux / 124 fc at 6m / 20 feet
BEAM ANGLE	30° Nominal 45° With D25 filter 60° With D50 filter 105° With D100 filter 115° With DVELVET filter
DIMENSIONS	690x308x68mm / 27.2"x12"x2.7" (panel) 815x435x68mm / 32.1"x17.1"x2.7" (panel + yoke)
WEIGHT	7 kg / 15,5 lbs (panel) 7.6 kg / 16.7 lbs (panel + yoke)
POWER DRAW	190W
POWER SUPPLY	24-35V DC via XLR3 V-Lock or Gold mount battery plate 90-264V AC 50/60Hz
LED RATED LIFE	More than 50.000 hours
POWER CONNECTION	Neutrik XLR-3 DC In connector
OUTPUT FREQUENCY	2000 fps
OPERATION TEMPERATURE	From -20°C to +40°C
COOLING	No-noise, fan-free passive cooling
PROTECTION	IP54 rainproof, indoor or outdoor use
VELVET LED TECHNOLOGY	Selected BIN High-power LED + VELVET custom optics + CPU software control
CONSTRUCTION & FINISH	Made of black powdercoated extruded and sheet aluminum

VELVET Power 2 IP54 + MO Yoke



VELVET Power 2 IP54 + PO Yoke



VELVET Power 2 IP54

Ref.: VP2IP54NY

Datasheet: November 2024 / Page 3



PHOTOMETRICS

